



Instructions

1:5 SCALE GAS POWER RACING TRUCK

F5 R F5

ROFUN RACING

WWW.ROFUNRACING.COM



RTR

2-STROKE

4WD

2.4GHz

零件清单 Prts List

RF5零件清单 RF5 Prts List

电车零件清单 Tram Prts List

编号 Nummer	数量 Qty	名称 Description	编号 Nummer	数量 Qty	名称 Description
172070	1	车壳前支撑 拉力款 Front support of car body - Rally style	171069	1	F5 电车电池座1 Tram battery holder set
172071	1	车壳后支撑 拉力款 Rear support of car body- Rally style	171070	1	F5 电车电池座2 Tram battery holder set
172072	1	防滚架组件1 Roll cage component 1	171071	2	F5 电车电池座固定柱 Tram battery holder set
172073	1	防滚架组件2 Roll cage component 2	171072	1	F5 电车电机固定板 Motor mounting base set
172074	2	防滚架组件3 Roll cage component 3	171073	1	F5 电车电机后固定座 Motor mounting base set
172075	4	防滚架组件4 Roll cage component 4	171074	1	F5 电车电机输出轴 Motor output shaft
172076	2	防滚架组件5 Roll cage component 5	171076	1	F5 电车电调盖 Electrical regulator cover
172077	2	防滚架组件6 Roll cage component 6			
172078	3	防滚架组件7 Roll cage component 7			
172079	2	防滚架组件8 Roll cage component 8	65034	1	调节片 Adjustment tablet
172080	2	防滚架组件9 Roll cage component 9	68004	4	内六角圆柱头螺钉 Hex.Column head screw M4x16
172081	1	防滚架组件10 Roll cage component 10	68011	2	内六角沉头螺钉 Hex.socket head cap screw M4x10
172082	1	尾翼1 拉力款 Tail Wing 1- Rally Style	68012	3	内六角沉头螺钉 Hex.socket head cap screw M5x16
172083	1	尾翼2 拉力款 Tail Wing 2- Rally Style	68022	3	内六角沉头自攻螺钉 Hex.socket head cap screw ST4x16
172084	2	尾翼 安装座 拉力款 Tail wing mounting seat - Rally style	68036	1	防松螺母 Lock NUT M4
172085	1	车壳装饰件1 Car body decoration 1	68137	1	内六角凹端紧定螺钉 Hex.convex head screw M6x6
172086	1	车壳装饰件2 长 Car body decoration piece 2 long	68159	4	内六角沉头螺钉 Hex.socket head cap screw M4x12
172087	2	车壳装饰件3 短 Car body decoration part 3 short	68105	1	内六角圆柱头螺钉 Hex.Column head screw M4x20
172088	1	倒车镜左三角板 Left triangular plate of reversing mirror	68191	1	深沟球轴承 Trench ball bearing 688
172089	1	倒车镜 左 Left reversing mirror	68275	2	内六角圆柱头螺钉 Hex.Column head screw M3x8
172090	1	倒车镜右三角板 Reverse mirror right triangle			
172091	1	倒车镜 右 Reverse mirror on the right			
172092	14	装饰件安装扣 Decorative component installation buckle			
172093	1	RF5 车壳 RF5 car body			
171077-1	2	RF5 防滚架连接铝管1 RF5 roll cage connected aluminum tube 1			
171077-2	2	RF5 防滚架连接铝管2 RF5 roll cage connected aluminum tube 2			
171077-3	2	RF5 防滚架连接铝管3 RF5 roll cage connected aluminum tube 3			
68022	4	内六角沉头 Hexagonal countersunk ST4x14			
68023	26	十字介子自攻 Cross meson self attack ST3x10			
68120	2	内六角平圆头 Hexagonal flat round head M4x20			
68121	2	内六角平圆头 Hexagonal flat round head M4x30			
68209	16	十字自攻 Cross Self Attack ST3x15			
68214	16	内六角平圆头 Hexagonal flat round head M4x25			

零件清单 Prts List

编号 Nummer	数量 Qty	名称 Description	编号 Nummer	数量 Qty	名称 Description
171050	4	减震筒 Shock absorber cylinder	172030	1	转向器压片 Front brace set
171051	4	减震弹簧 Shock absorber spring	172031	1	后支撑1 Rear brace set
171052	4	上支撑固定杆 Damping mounting rod	172032	1	后支撑2 Rear brace set
171053	4	下支撑臂 Lower support pole	172033	1	后支撑连接块 Rear brace set
171055	1	中差齿轮轴 Center diff. gear shaft	172034	1	齿轮啮合板 Gear adjusting block
171056	2	中差座上部 Center diff. mount set top	172035	1	空滤器座 Air filter set
171057	2	中差座下部 Center diff. mount set bottom	172036	1	空滤器盖 Air filter cover set
171058	2	伺服调节杆 Servo Turnbuckle	172037	1	空滤器主体 Air filter main body set
171059	3	刹车杆固定件隔套 Brake lever spacer	172038	1	空滤器支架 Air filter bracket
171060	2	伺服拉杆球头 Servo rod ball	172039	1	油箱 Fuel tank
171061	2	刹车拉杆 Brake lever	172040	3	油箱固定柱 Fuel tank mount set
171062	2	刹车力臂 Brake arm	172041	8	上悬挂球头扣 Upper sus.arm spherical joint set
171063	1	油杆拉杆 Throttle rod	172042	2	转向球头扣1 Steering sus.arm spherical joint set
171064	4	前轮轴承座固定销 Front Steering shaft	172043	2	转向球头扣2 Steering sus.arm spherical joint set
171065	4	前下悬挂隔套 Front lower deck spacer	172044	4	伺服拉杆球头扣 Servo sus.arm spherical joint
171066	1	刹车柱 短 Brake shaft short	172045	2	沉头垫 Sinking head pad 1
171067	1	刹车柱 长 Brake shaft long	172046	5	沉头垫2 Sinking head pad 2
171068	2	F5 空滤器隔套 Air filter spacer	172047	3	刹车杆固定块 Brake rod holder set
171075	1	排气管 Exhaust pipe	172048	1	F5 前防撞 Front bumper
171087	2	转向舵机臂 Steering arm 15/17T	172049	1	F5 后防撞 Rear bumper
171088	1	油门舵机臂 Throttle steering arm	172050	1	F5 车壳前支架 Front frame of vehicle body
			172051	1	F5 车壳后支架 Rear frame of vehicle body set
			172052	1	F5 车壳后支架座 Rear frame of vehicle body set
172001	2	齿轮箱前部 Gearbox set Front	172053	1	F5 左侧板 Side L
172002	2	齿轮箱后部 Gearbox set Rear	172054	1	F5 右侧板 Side R
172003	2	防倾杆盖 Balance rod cover	172055	1	F5 尾翼 Rear wing
172004	2	前下悬挂 Front lower Sus.arm set	172056	2	F5 尾翼座 Rear wing mount
172005	2	后下悬挂 Rear Lower Sus.arm set	172057	4	车壳左右固定柱 Body posts set
172006	1	前门型座 左 Caster mount L	172058	2	车壳前固定柱 Body posts set
172007	1	前门型座 右 Caster mount R	172059	1	空滤海绵1 Air filter sponge set
172008	2	前轮轴承座 Front Hub carrier set	172060	1	空滤海绵2 Air filter sponge set
172009	2	后轮轴承座 Rear Hub carrier set	172061	1	F5 车壳 Painted body
172010	4	角度调节块 Angle adjustment block	172065	4	轮毂 Wheel
172011	1	前下码臂1 Front Sus.arm holder set	172066	4	支撑 Support
172012	1	前下码臂2 Front Sus.arm holder set	172067	4	边框 Ring
172013	1	后下码臂1 Rear Sus.arm holder set			
172014	1	后下码臂2 Rear Sus.arm holder set	152086	4	刹车杆缓冲管隔套 Brake rod spacer
172015	1	转向器左 Steering crank/servo saver set	152089	4	减震顶杆O型圈压片 Shock absorber set
172016	1	转向器右1 Steering crank/servo saver set	152090	4	减震活塞 Shock absorber set
172017	1	转向器右2 Steering crank/servo saver set	152093	4	减震上支撑臂隔套 Shock absorber set
172018	1	转向器底座 Steering seat	152095	4	减震顶杆O型圈隔套 Shock absorber set
172019	1	中差齿轮盖 Center diff. gear cover			
172020	1	发动机齿轮盖 Engine gear cover	173001	1	空滤连接件 Air filter connector
172021	2	刹车碟片限位块 Disc brake limit block	173003	4	轮胎内衬 Tire foam
172022	1	三角架连接块 Clutch disc mounting base connection	153004	4	O型圈 O-ring $\phi 9.6 \times \phi 15.3 \times 2.85 \text{mm}$
172023	1	转接轴盖 Connecting shaft cover	153006	4	减震橡胶帽 Damping rubber cap
172024	1	转接轴座 Connecting shaft seat	153008	4	O型圈 O-ring $28 \times \phi 33 \times 2.5 \text{mm}$
172025	1	设备仓 Radio box set	153009	4	O型圈 O-ring $\phi 17 \times \phi 21 \times 2 \text{mm}$
172026	1	接收机仓盖1 Radio box set	153010	8	O型圈 O-ring $\phi 6.8 \times \phi 14 \times 3.6 \text{mm}$
172027	1	接收机仓盖2 Radio box set	153012	2	差速器密封垫 Diff case washer
172028	1	电池盒盖 Radio box set	153016	2	软管 Hose
172029	1	前支撑 Front brace set			

欢迎使用本公司 F5 系列产品。此产品采用高品质材料生产，设计新颖，操作有趣。仔细阅读说明将有助于您更加容易的操控此产品。我们愿与您分享操控的乐趣与刺激。

Welcome to use our company's F5 series products. It's produced with high-quality materials, with novel design and interesting operation. Reading the instructions carefully will help you control this product more easily. We would like to share the joy and excitement with you.



Attention

不按照此说明操作有可能会损害整车或零配件，甚至导致人身伤害。
If you don't follow the manual to run the vehicle, which may cause the probability of truck damage, collateral spare parts damage and even serious bodily injury.



Attention

不按照此说明操作有可能伤害到自己或他人。
Failure to follow this instruction may cause the hurt to yourself and others.



Caution

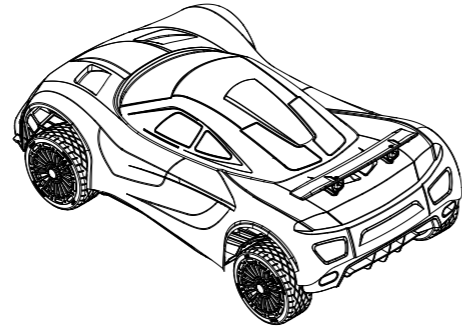
- 为了防止造成人身伤害或财产损失，操控此车时请特别注意。此车采用可燃性混合汽油燃料，最高速度可达70km/h。
To prevent any serious personal injury and/or damage to property, please be responsible when operating this vehicle. This vehicle uses inflammable mixed gasoline. Max running speed of this vehicle would reach 70km/h.
- 14岁以下儿童、禁止玩耍。
Children are forbidden to play under 14 years old.

发动机安全操作指南 Engine Guidelines for safe handling

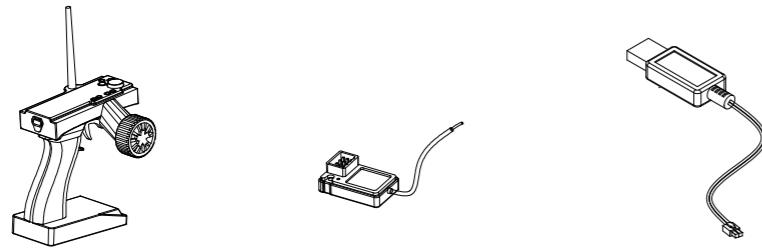
- 请加入汽油与两冲程机油混合燃料。
Please use a mixture of gasoline and 2stroke oil for fuel.
- 请勿在有火苗和烟区操控此车或加油。
Never operate your vehicle near open flames. Never smoke while operating your vehicle or while handling fuel.
- 加油时保持水平位置，远离火苗、火源、高温等地方。
When fueling the vehicle, please be sure to make this vehicle be in a well horizontal site, and away from flame and high temperature area.
- 此发动机仅用汽油与两冲程机油混合作为燃料，其它燃料均不可使用。
Only use a mixture of gasoline and two-cycle oil for fuel in this vehicle engine. Do not use other fuel.
- 汽油易燃有毒，请注意安全。
Please be safe because gasoline is inflammable and poisonous.
- 操控过程中有些部件温度很高，在未冷却之前请勿触摸。
Do not touch the engine and muffler as they can become extremely hot during use.
- 使用完毕后将油箱的剩余燃料清理掉。
Please clean the fuel tank after running this vehicle.
- 操控时远离儿童。
Please be away from children when running this vehicle.

装箱清单 Packing List

- RC整车 RC assembled car
- 遥控/接收机 Transmitter/Receiver
- 接收机电池 Receiver battery
- 工具/说明书 Tool/Instruction
- 充电器 Charger



公司可能会对箱内配件做其它的调整, 不再另行通知, 一切以收到的实物为准。
ROFUN might do some changes on accessories, which would not be informed. Please just subject to all what you get.

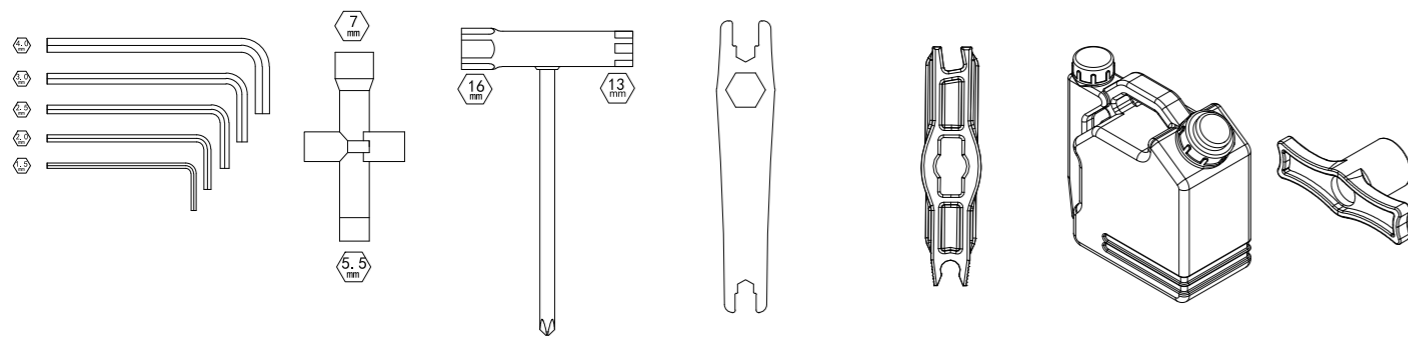


遥控设备或其它配件会出现更新与图片不符, 恕不另行通知, 解释权归公司所有。

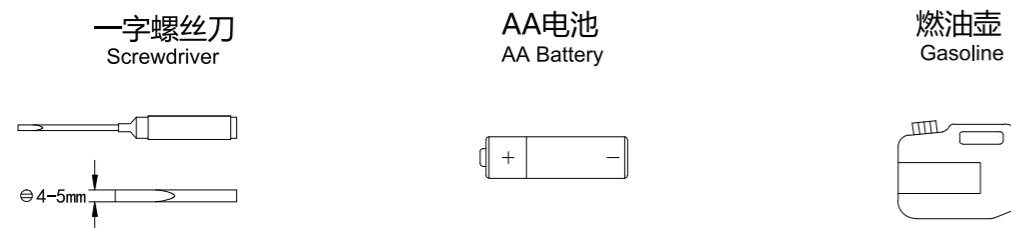
Transmitter equipment or other spare parts might be updated in future, which may be not same as current picture. We won't make extra informing. ROFUN own the reserved explanation right for all instructions and terms.

配备工具 Fitted Tools

- 六角扳手 Allen wrench 十字套筒 Cross Wrench 火花塞套筒 Spark plug wrench 金属六角扳手 Metal Hexagon Key 塑料六角扳手 Plastic Hexagon Key 燃油配比壶 Mixed fuel ratio can 轮毂扳手 Wheel Wrench

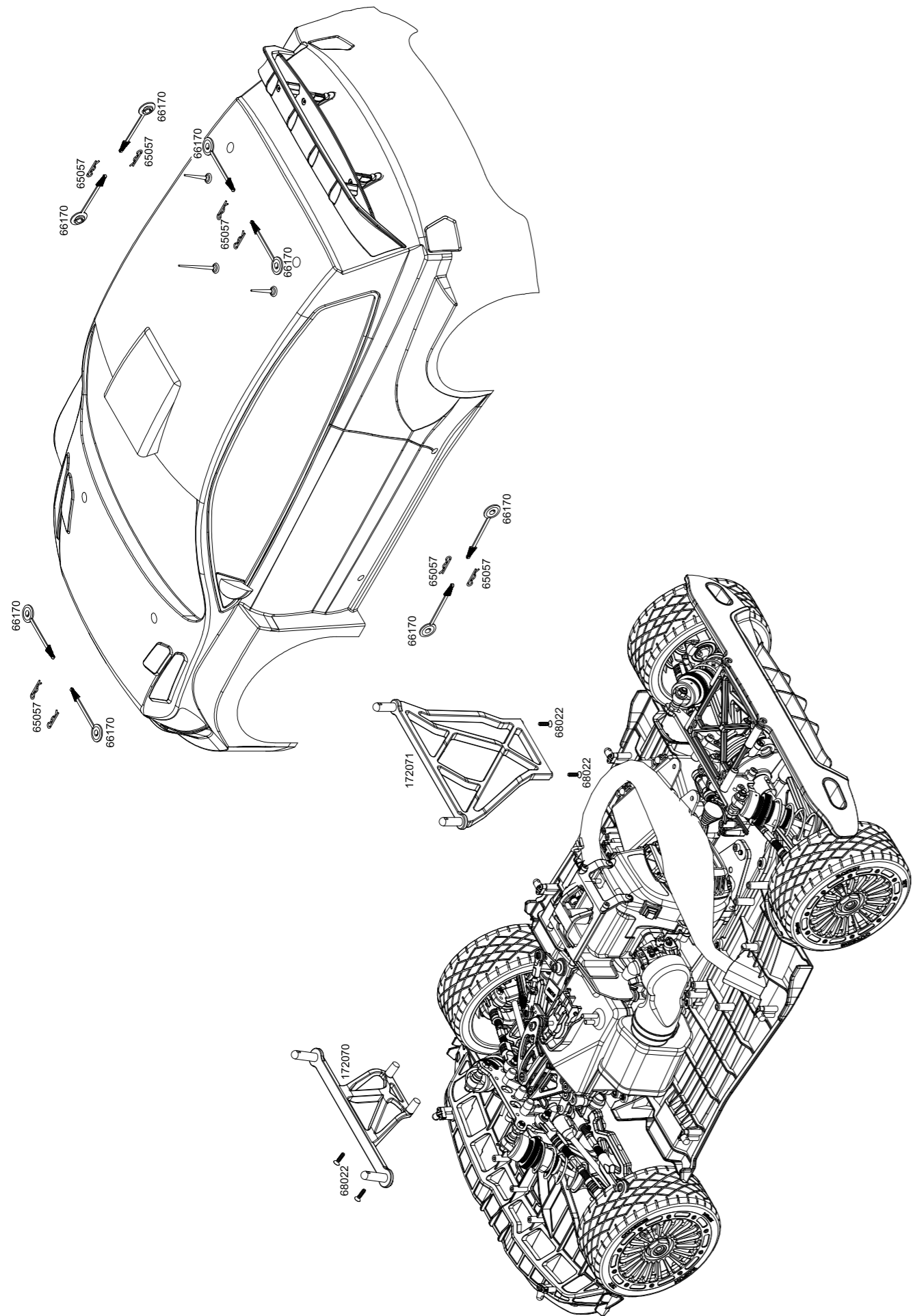


自备工具 Self-prepared Tools



零件清单 Prts List

编号 Nummer	数量 Qty	名称 Description	编号 Nummer	数量 Qty	名称 Description
68003	2	内六角圆柱头螺钉 Hex.Column head screw M4×6	68272	2	内六角圆柱头螺钉 Hex.Column head screw M5x20
68005	2	内六角圆柱头螺钉 Hex.Column head screw M4×25	68275	5	内六角圆柱头螺钉 Hex.Column head screw M3x8
68006	2	内六角圆柱头螺钉 Hex.Column head screw M4×30			
68008	1	内六角圆柱头螺钉 Hex.Column head screw M5x20			
68009	8	内六角圆柱头螺钉 Hex.Column head screw M5x30	171001	1	F5 大底板 Chassis
68012	25	内六角沉头螺钉 Hex.socket head cap screw M5×16	171002	1	发动机固定板 Engine mounting plate
68021	4	内六角平圆头螺钉 Hex.flat head screw M6×30	171003	1	前支撑板 Front shock tower 5mm
68022	59	内六角沉头自攻螺钉 Hex.socket head cap screw ST4x16	171004	1	后支撑板 Rear shock tower 5mm
68023	6	十字法兰螺丝钉 TP.Binder head screw ST3×10	171005	1	转向连接片 Steering connecting piece 5mm
68025	6	内六角凹端紧定螺钉 Hex.convex head screw M3x3	171006	2	连接片隔套 Steering sleeve
68035	8	防松螺母 Lock NUT M3	171007	2	连接片固定螺丝 Steering fixed screw
68036	24	防松螺母 Lock NUT M4	171008	2	转向器轴 Steering column
68037	9	防松螺母 Lock NUT M5	171009	2	转向器轴隔套 Steering column spacer
68039	2	深沟球轴承 Trench ball bearing 6903-2RS	171010	1	转向轴承柱 Steering post
68040	12	深沟球轴承 Trench ball bearing 6901-2RS	171011	1	转向轴承柱螺母 Steering post nut
68043	4	深沟球轴承 Trench ball bearing 6804-2RS	171012	4	轴销挡圈 O type retaining ring
68045	1	内六角平圆头螺钉 Hex.flat head screw M3x16	171013	1	离合器盘 Clutch disc
68054	2	Φ4弹簧垫圈 Spring lock washers Φ4	171014	4	下悬挂销 Lower Sus.arm shaft
65057	13	大开口销 Body pin Φ1.6mm	171015	2	后轮轴承座销 Rear Hub carrier shaft
68071	8	内六角圆柱头螺钉 Hex.Column head screw M5x25	171016	1	前下码臂加强片1 Front Sus.arm 1
68073	2	内六角沉头螺钉 Hex.socket head cap screw M4x16	171017	1	前下码臂加强片2 Front Sus.arm 2
68079	1	内六角圆柱头螺钉 Hex.Column head screw M5x40	171018	1	后下码臂加强片1 Rear Sus.arm 1
68083	4	内六角圆柱头螺钉 Hex.Column head screw M3x12	171019	1	后下码臂加强片2 Rear Sus.arm 2
68103	13	内六角圆柱头螺钉 Hex.Column head screw M4×12	171020	3	发动机固定块 Engine mounting block set
68106	2	内六角圆柱头螺钉 Hex.Column head screw M5x45x22	171021	3	发动机固定片 Engine mounting block set
68109	12	内六角沉头螺钉 Hex.socket head cap screw M4x14	171022	1	齿轮啮合板隔套 Gear adjusting block spacer
68117	1	内六角平圆头螺钉 Hex.flat head screw M3x25	171023	4	刹车夹片 Brake pads
68132	6	内六角凹端紧定螺钉 Hex.convex head screw M5x5	171024	2	刹车碟片 Brake disc
68137	4	内六角凹端紧定螺钉 Hex.convex head screw M6x6	171025	4	刹车片固定螺丝 Brake mounting screw
68143	2	深沟球轴承 Rolling bearings 6900	171026	6	调节丝杆 Turnbuckle
68148	4	内六角圆柱头螺钉 Hex.Column head screw M4×35	171027	4	上悬挂球头1 Sus.arm Ball 1
68258	2	十沉头螺钉 TP.socket head cap screw M4x55	171028	4	上悬挂球头2 Sus.arm Ball 2
68155	2	十字沉头自攻丝 TP.Flat binder head screw M4×20	171029	4	转向球头 Steering link Ball
68159	8	内六角沉头螺钉 Hex.socket head cap screw M4x12	171030	4	半轴 Dogbones
68163	5	内六角凹端紧定螺钉 Hex.convex head screw M6x20	171031	1	前纵轴 Front dogbone
68173	5	防松螺母 Lock NUT M6	171032	1	后纵轴 Rear dogbone
68176	2	盘头十字槽螺钉 TP.Binder head screw M2x8	171033	1	转接轴 Connecting shaft set
68182	2	深沟球轴承 Trench ball bearing 6000-2RS	171034	1	转接轴套 Connecting shaft set
68192	4	深沟球轴承 Trench ball bearing 687	171035	6	CVD活动柱 CVD axis
68209	12	十字盘头自攻丝 TP.Binder head screw ST3×15	171036	4	CVD驱动轴 CVD drive shaft
68223	7	内六角沉头螺钉 Hex.socket head cap screw M5×12	171037	4	驱动轴套 Wheel Mount
68236	3	平垫 Washer Φ3xΦ8x0.5	171038	4	轮胎螺母 Wheel Nut
68237	2	平垫 Washer Φ4xΦ9x1	171039	2	前后输出轴 Front/Rear output shaft
68238	8	平垫 Washer Φ5xΦ10x0.4	171040	4	差速器输出轴 Diff. Joint Cup
68239	9	平垫 Washer Φ6xΦ12x1.2	171041	2	中部输出轴 Center Dogbone Joint Cup
68256	3	内六角圆柱头螺钉 Hex.Column head screw M5x10	171042	2	主动齿轮 Drive gear
68257	4	内六角圆柱头螺钉 Hex.Column head screw M6x20	171043	2	从动齿轮 Crown gear
68258	2	十沉头螺钉 TP.socket head cap screw M4x45	171044	1	发动机齿轮 Engine gear
68261	4	内六角沉头自攻螺钉 Hex.socket head cap screw ST4x65	171045	1	中差大齿轮 Diff.crown gear
68262	1	平垫 Washer Φ16xΦ22x1	171046	1	F5 压铸三脚架 Clutch mounting seat
68266	2	内六角圆柱头螺钉 Hex.Column head screw M4×10	171047	2	F5 差速壳 Diff.shell
68267	12	十字法兰螺丝钉 TP.Binder head screw ST2.5×20	171049	4	减震顶杆 Shock absorber central shaft



电池完全性充放电，
可延长电池的寿命。

Battery useful life can be extended longer
if charging or releasing power of battery
is enough .

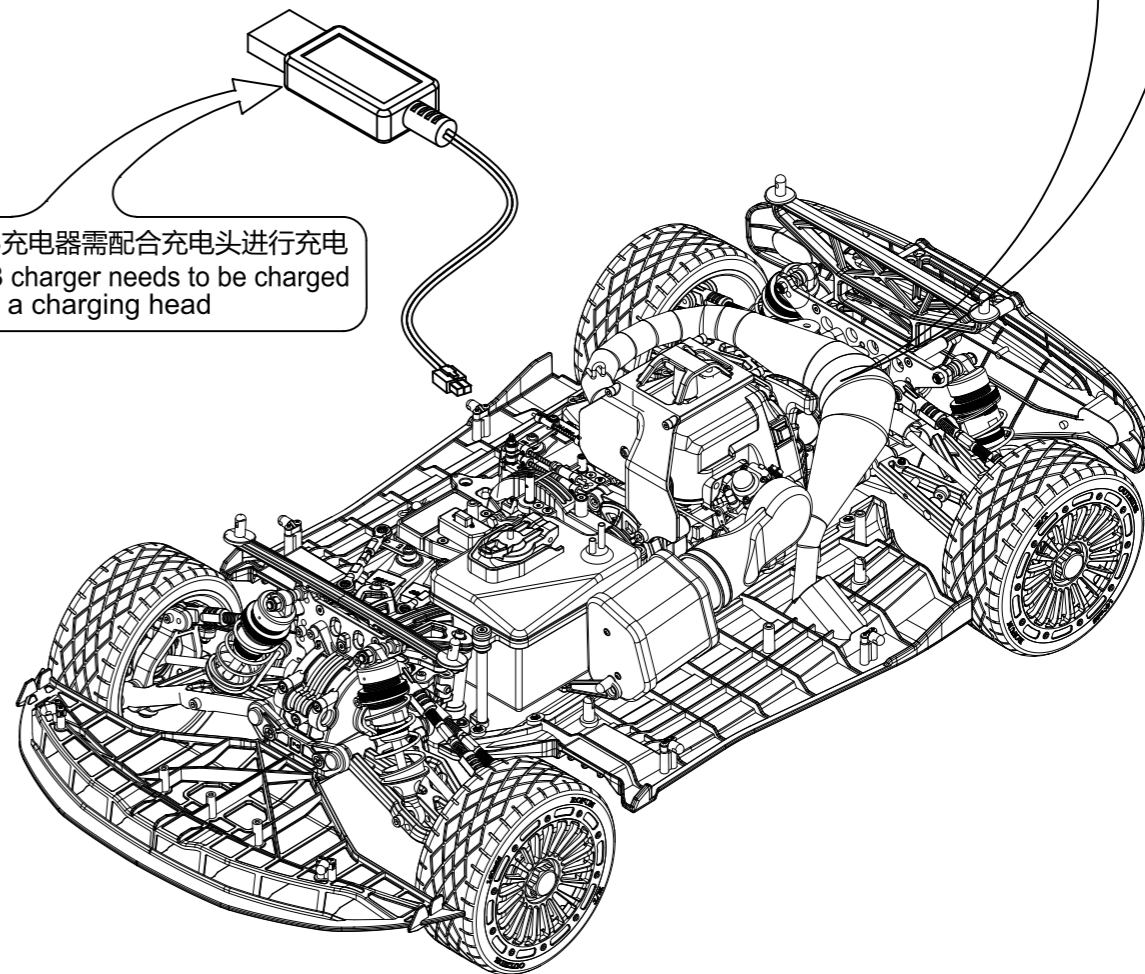


Caution

车子运转过程中，发动机和排气管温度
很高，在未冷却之前请勿触摸。

Please don't touch engine or exhaust
pipe before they are cold, because they
will be extremely hot during running of
this vechile.

USB充电器需配合充电头进行充电
USB charger needs to be charged
with a charging head

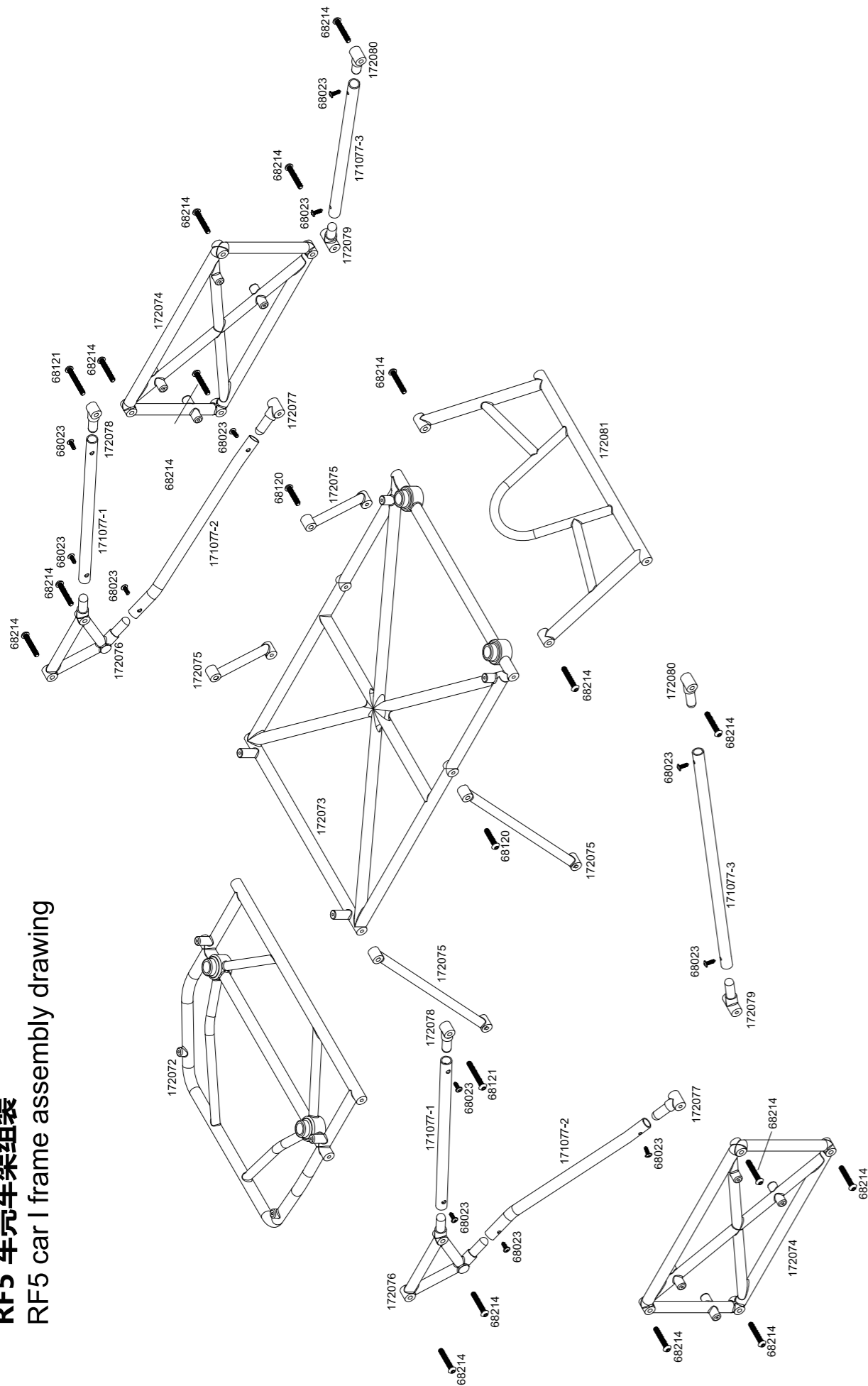


Caution

- 请勿使用其它充电器
- 充电时间约为6小时
- 此充电器勿给其它电池充电
- 电池远离儿童及水源

- Don't use other charger
- Charging time need about 6 hours
- Don't allow to use this charger to charge other battery
- Battery should be far away from Children and water

RF5 车壳车架组装 RF5 car I frame assembly drawing



发动机磨合 Engine running-in

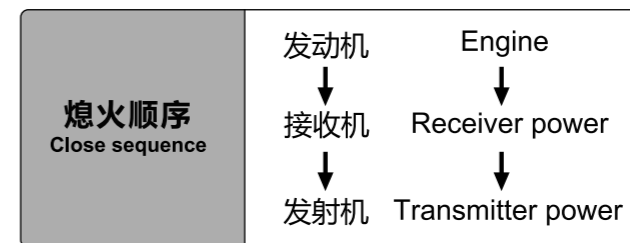
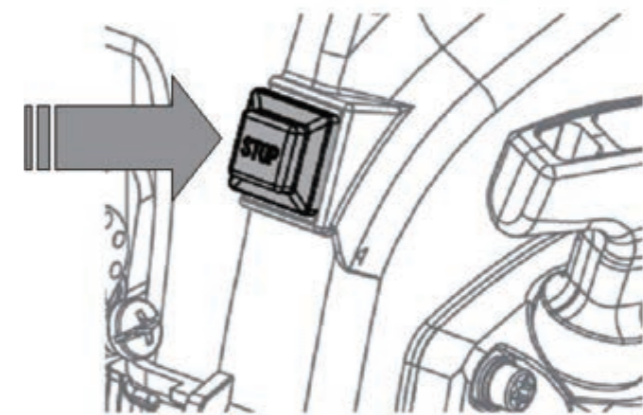
通过在地面慢速小油门行驶（约一箱的燃料）来磨合发动机。

Please run this vehicle slowly on the ground (about a tank of fuel) to make engine running-in.



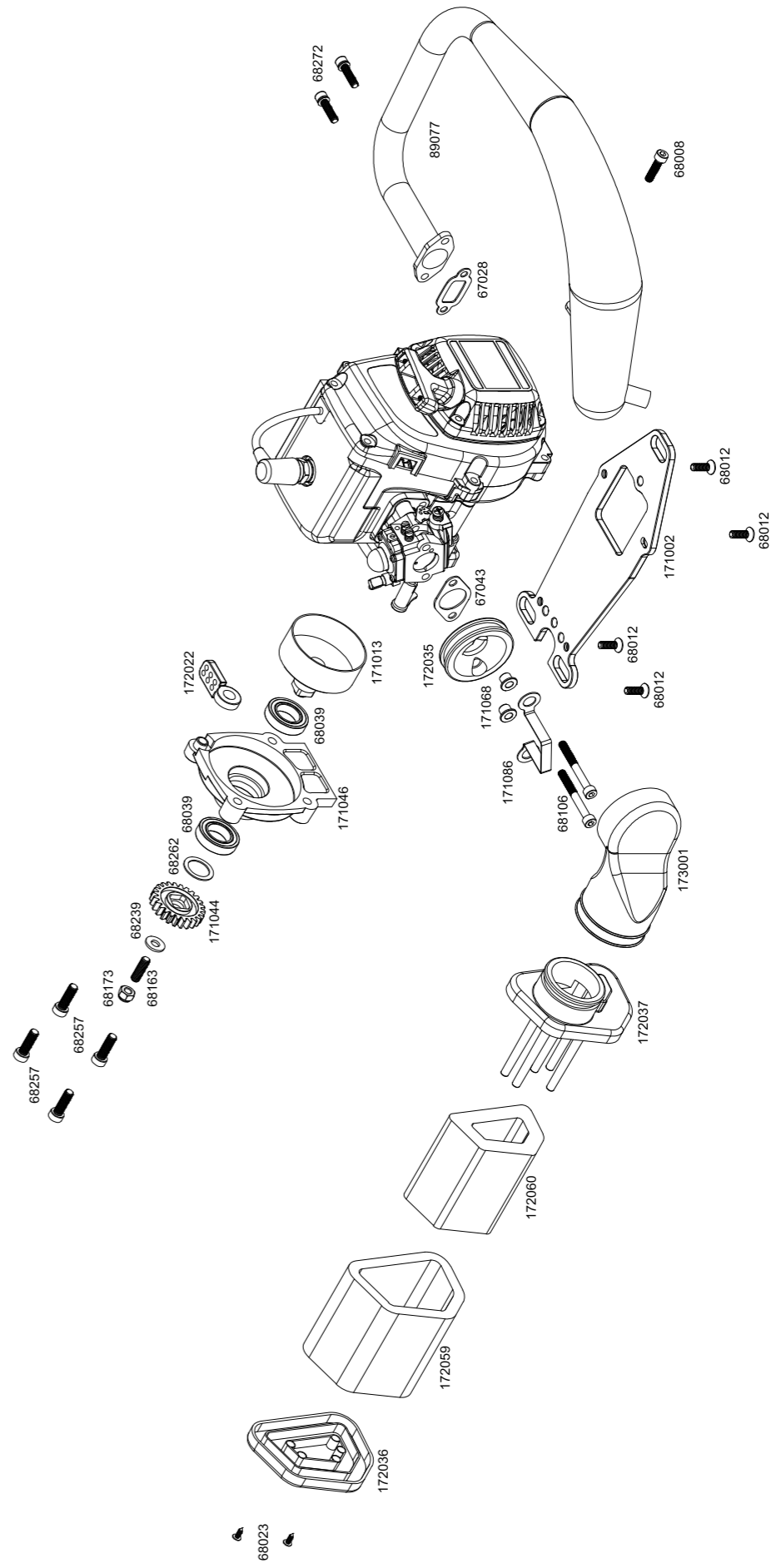
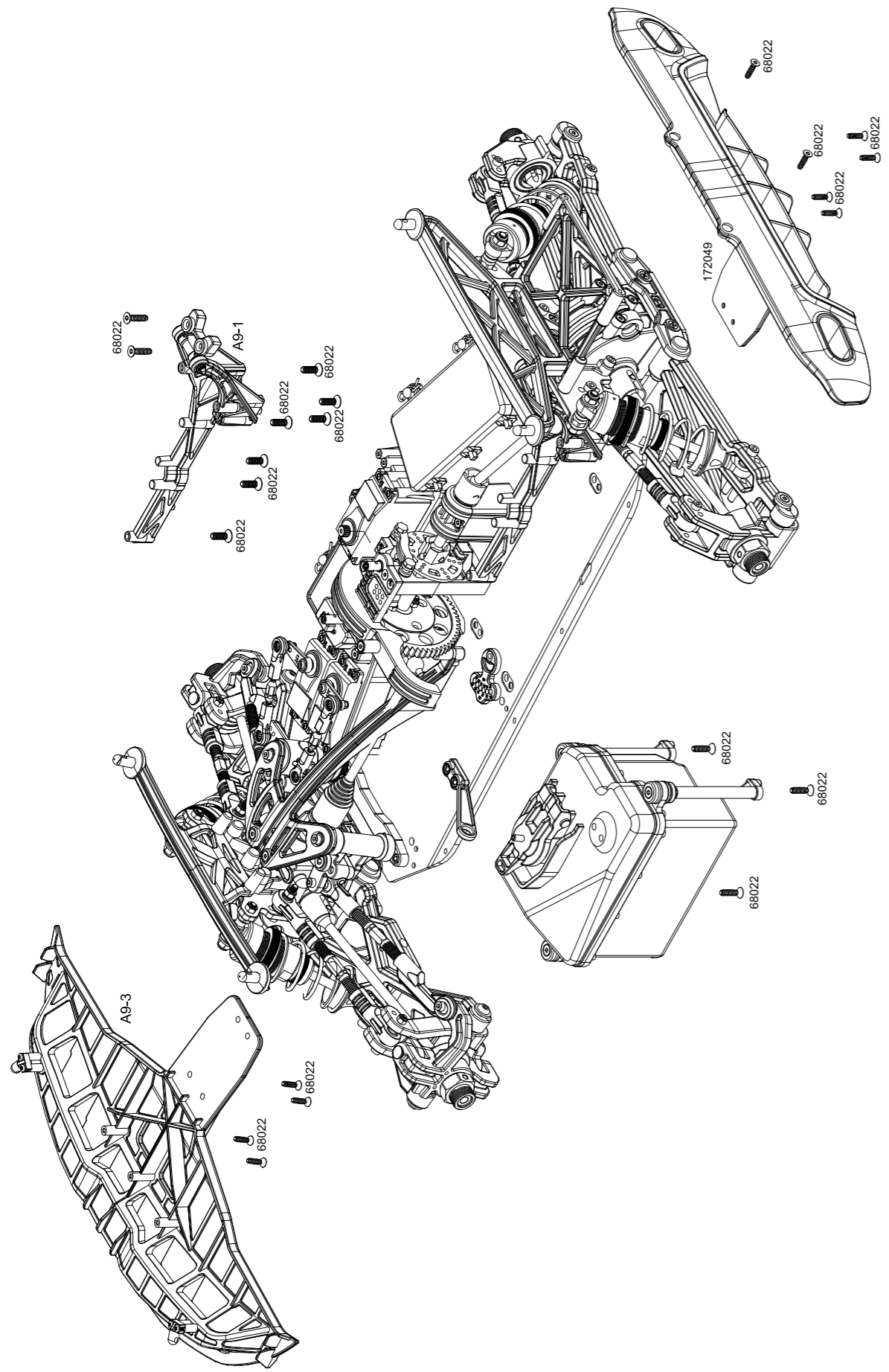
- 不要在磨缸的时候调整化油器设定，这样做将导致发动机损坏。
Don't adjust the setup of original carburetor, otherwise will damage the engine.
- 请勿触摸发动机和消声器，因为他们在使用过程中会变得非常热。
Please don't touch engine and muffler, because they will become very hot during the running.
- 切勿停止发动机之前关闭发射器或接收器的电源，您将失去对您车辆的控制。
Please don't close transmitter and receiver power before stopping engine, otherwise you will lose control of vehicle.

按下熄火开关来关闭发动机
Push this fire-off switch to stop engine

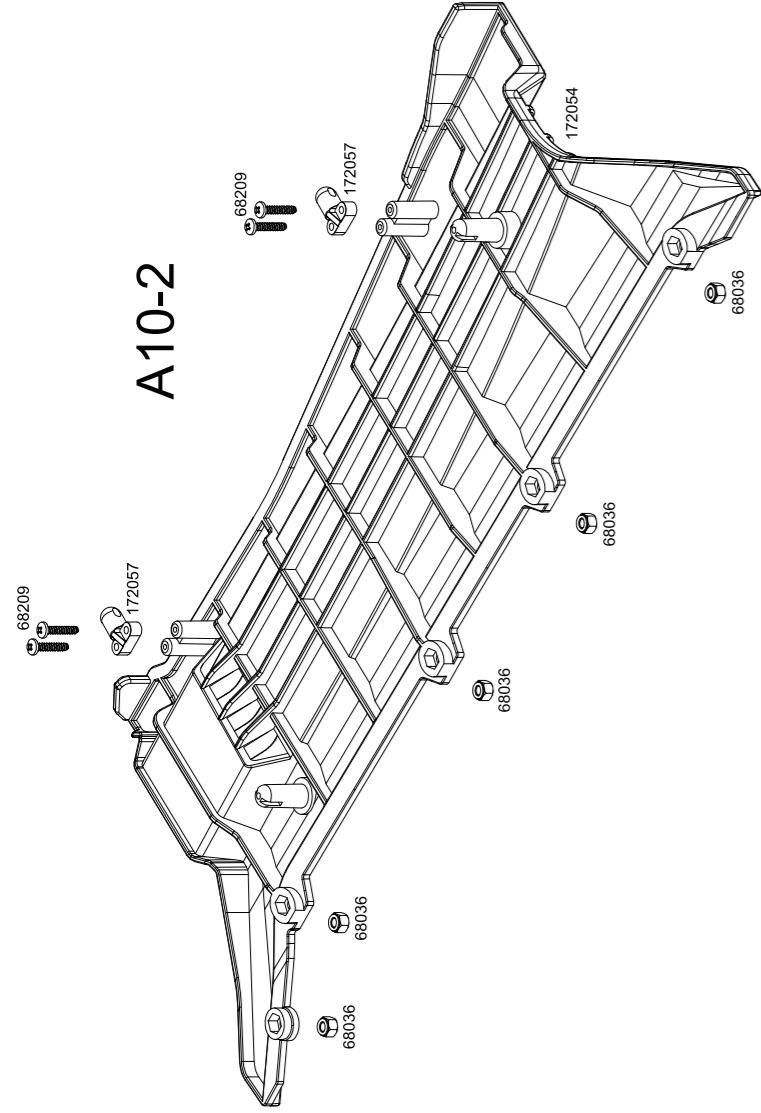


发动机保养小常识 Engine Maintenance

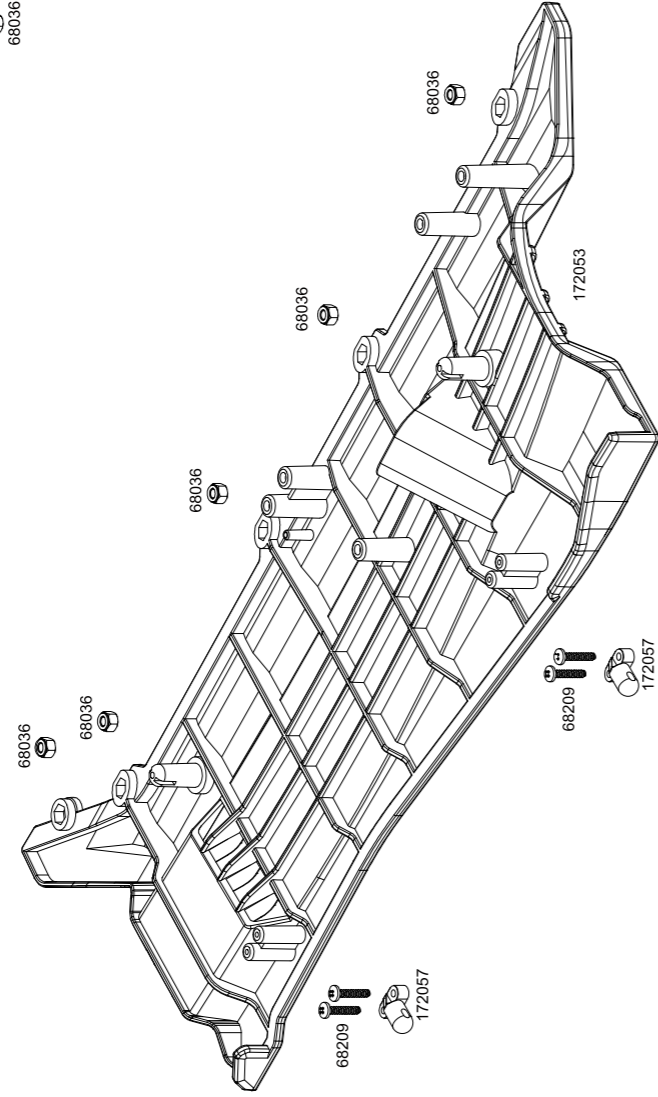
- 要经常清洗发动机空滤海绵，并且在每次清洗完后，自然风干，并抹上适量的空滤油。
The air filter foam need to be cleaned very often. After finishing cleaning, please just let it dry naturally and re-oiled properly.
- 火花塞要定期的拆下来清洗，将电极上的积碳清理干净。
Spark plug also need to be cleaned regularly, and clean all carbon deposit on the electrode.
- 如果长时间不玩车，请将油箱内的燃油倒干净，点燃发动机，让其自动熄火。
please empty the gasoline in the fuel tank, light the engine and make it shut down automatically if you don't run the vehicle for a very long time.



A10-2



A10-1



A10-3

